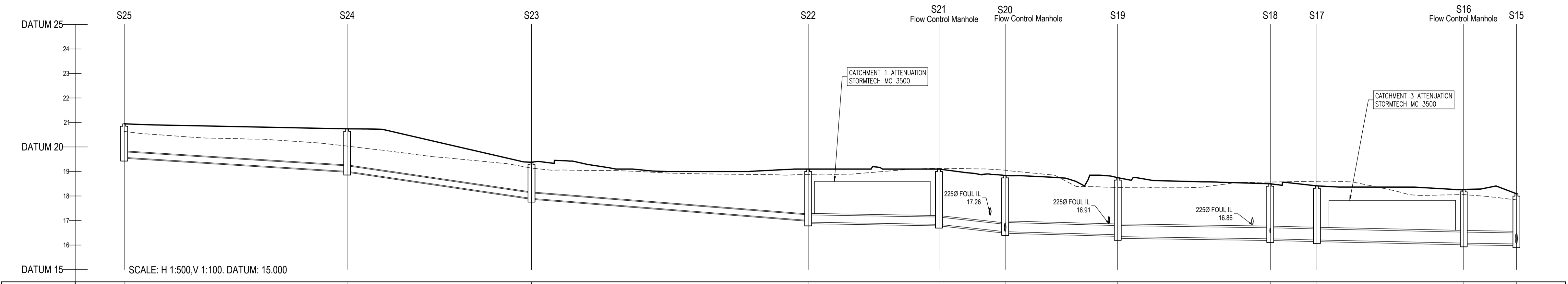


NOTES:

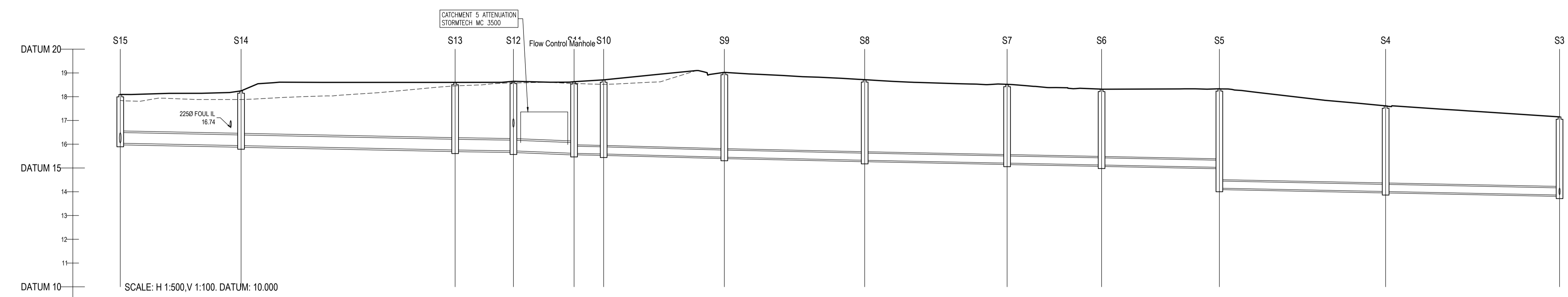
- ALL DRAWINGS TO BE CHECKED BY CONTRACTOR ON SITE AND ENGINEER INFORMED OF DISCREPANCIES BEFORE WORK COMMENCES
- ALL LEVELS ARE IN METRES AND ARE RELATED TO ORDNANCE DATUM
- CONTRACTOR SHALL SATISFY HIMSELF AS TO THE ACCURACY OF PAVEMENT LEVELS ON SITE PRIOR TO COMMENCEMENT OF WORKS ON SITE
- ALL WORKS TO BE CONSTRUCTED IN ACCORDANCE WITH THE NRA SPECIFICATION FOR ROAD WORKS UNLESS NOTED OTHERWISE
- THIS DRAWING IS FOR PLANNING PURPOSES ONLY
- MANHOLE COVER LEVELS ARE TO CONFORM WITH FINISHED ROAD AND PATH LEVELS
- WHERE COVER TO PIPE IS LESS THAN 1200mm (ROADPATH VERGE) OR 900mm (OPEN SPACE) SURROUND PIPE IN MINIMUM 150mm CONCRETE



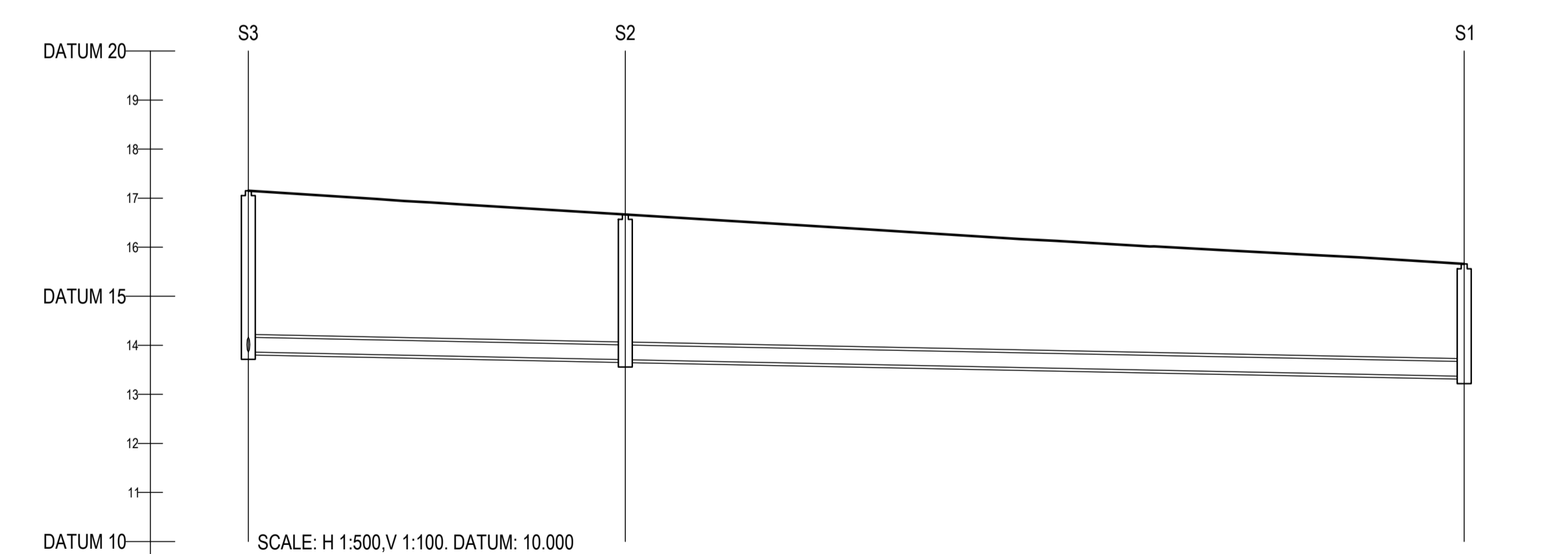
COVER LEVEL	20.944	20.740	19.378	19.100	19.100	18.839	18.747	18.498	18.414	18.270	18.064
INVERT LEVEL	19.575	19.006	17.902	17.006	16.842	16.543	16.417	16.254	16.207	16.077	16.042
DEPTH (m)	1.369	1.734	1.476	2.169	2.238	2.296	2.404	2.244	2.207	2.183	2.052
DISTANCE (m)		45.46	37.59	56.42	26.66	13.51	22.95	31.10	9.50	29.94	10.75
PIPE SLOPE		1.80	1.34	1.63	1.300	1.45	1.182	1.349	1.202	1.230	1.307
PIPE SIZE		225mm	225mm	225mm	300mm	300mm	375mm	450mm	450mm	450mm	450mm

KEY

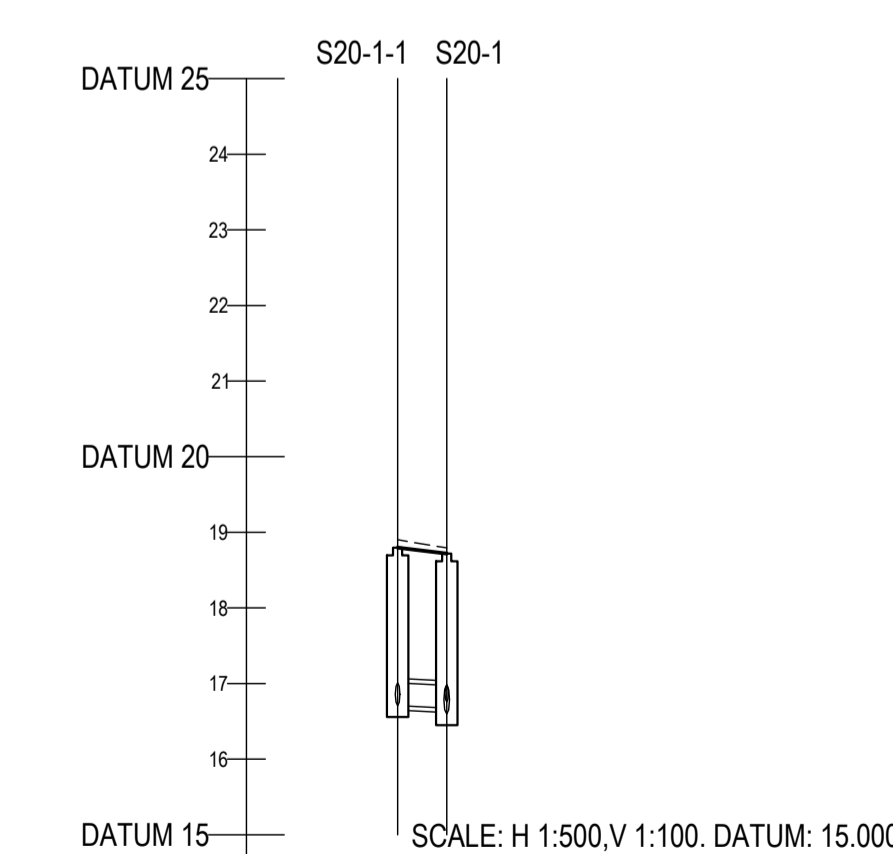
- EXISTING GROUND PROFILE
- PROPOSED GROUND PROFILE



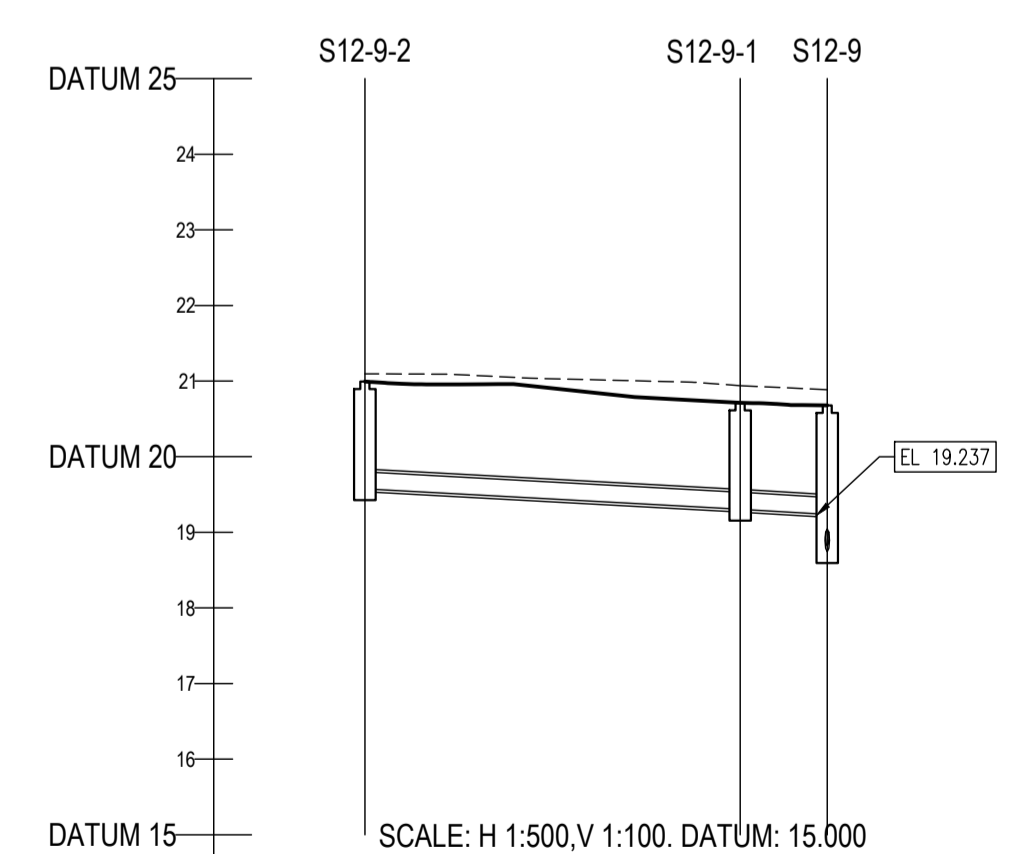
COVER LEVEL	18.084	18.244	18.602	18.849	18.632	18.709	19.024	18.716	18.520	18.314	18.333	17.613	17.151
INVERT LEVEL	16.042	1.010	15.940	15.720	15.616	15.616	15.654	15.324	15.205	15.126	15.027	14.010	13.863
DEPTH (m)	2.052	2.204	2.662	3.129	3.016	3.120	3.370	3.392	3.315	3.188	4.183	3.603	3.288
DISTANCE (m)		25.44	45.08	12.28	12.77	6.23	25.41	29.56	30.00	19.89	24.81	35.01	36.63
PIPE SLOPE		1.249	1.246	1.332	1.123	1.231	1.188	1.227	1.252	1.251	1.251	1.250	1.250
PIPE SIZE		450mm	450mm	450mm	450mm	300mm	300mm	300mm	300mm	300mm	300mm	300mm	300mm



COVER LEVEL	17.151	16.607	15.660
INVERT LEVEL	13.363	13.707	13.368
DEPTH (m)	3.788	2.900	2.292
DISTANCE (m)		38.45	85.56
PIPE SLOPE		1.246	1.252
PIPE SIZE		300mm	300mm



COVER LEVEL	18.796	18.717
INVERT LEVEL	16.208	16.208
DEPTH (m)	2.588	2.509
DISTANCE (m)	3.25	2.119
PIPE SLOPE	1.98	1.185
PIPE SIZE	300mm	300mm



COVER LEVEL	20.894	20.712	20.619
INVERT LEVEL	19.575	7.000	19.307
DEPTH (m)	1.419	13.712	1.312
DISTANCE (m)		24.82	5.76
PIPE SLOPE		1.92	1.85
PIPE SIZE		225mm	225mm

rev	date	description	RMC	EDA
P01	25-08-21	PLANNING		
A-		Approved		
B-		Approved with comments		
C-		Do not use		

DBFL Consulting Engineers  
Civil, Structural & Transportation Engineering  
www.dbfl.ie

DUBLIN OFFICE: Ormond House, Upper Ormond Quay, Dublin 7, D07 W704  
PHONE: +353 1 450 4000  
CORK OFFICE: Phoenix House, Monahan Road, Cork, T12 H1KX  
PHONE: +353 (0) 21 205453  
WATERFORD OFFICE: Suite 10 The Arkun, Maritime Gate, Canada Street, Waterford, X91 WC28  
PHONE: +353 51 309 500

project ref.  
**SANDFORD ROAD, MILLTOWN**  
drawing title  
**SURFACE WATER LONGSECTIONS SHEET 1**  
client

designed by	author	scale	sheet size
EDA	RMC	AS SHOWN	A1
drawing no.	revision		
190226-DBFL-SW-SP-DR-C-3001	P01		